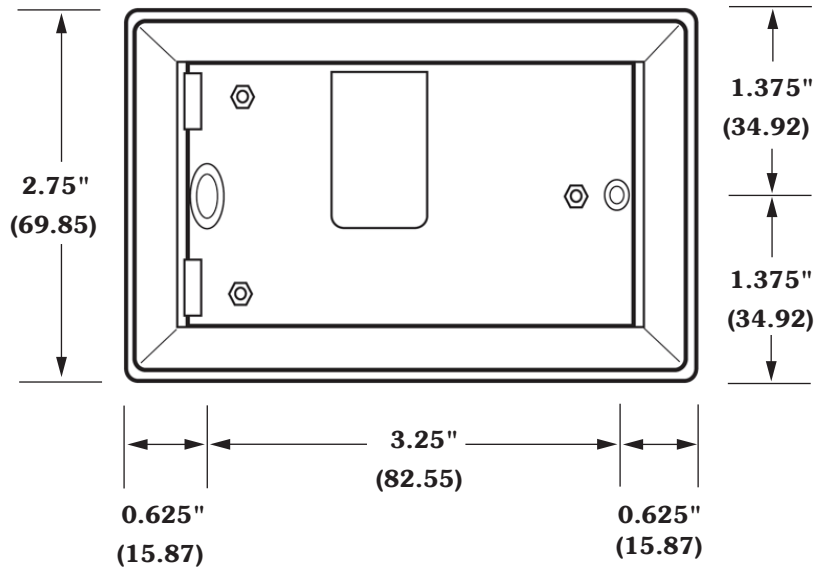
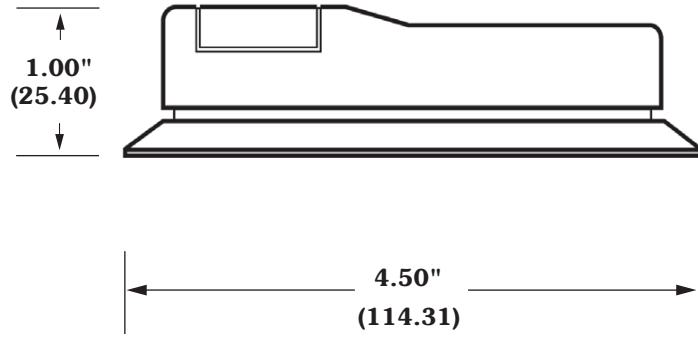


# TE-205-EX



(mm)